



**APPROVAL SHEET
FOR
MAGNETIC BUZZER**

常州富鸿达电子有限公司

CHANG ZHOU FHD ELECTRONICS CO., LTD.

CLUE No.: F007-16H3001

MODEL No.: BMC9650S-0524

OUR PART No.: 129-965017-01

DOCUMENT No.: FESG-00006-A0

CUSTOMER	APPROVED	CHECKED

Add: Xujia Industrial Park, ZhenLu Town, Changzhou City, Jiangsu China.

江苏省常州市天宁区郑陆镇工业大道2号

Tel:+86-519-8382 2009

Fax:+86-519-8873 9926

Email: sales@czfhd.com

<http://www.czfhd.com>

F007-16H3001	Specification for Electro-Magnetic Buzzer With built-in oscillating circuit (SMD Type)			Page 3 of 6
				Des
				Chk.
Model No.:	BMC9650S-0524	Part No.	129-965017-01	Chen Hong
				10/25/2018
				10/25/2018

2. Technical Parameter

Measuring condition

Part shall be measured under a condition (Temperature: 5~35°C, Humidity: 45% ~ 85%R.H., Atmospheric pressure: 860 ~ 1060hPa) unless the standard condition (Temperature: 25±3°C, Humidity: 60±10%R.H. Atmospheric pressure: 860 ~ 1060hPa) is regulated to measure.

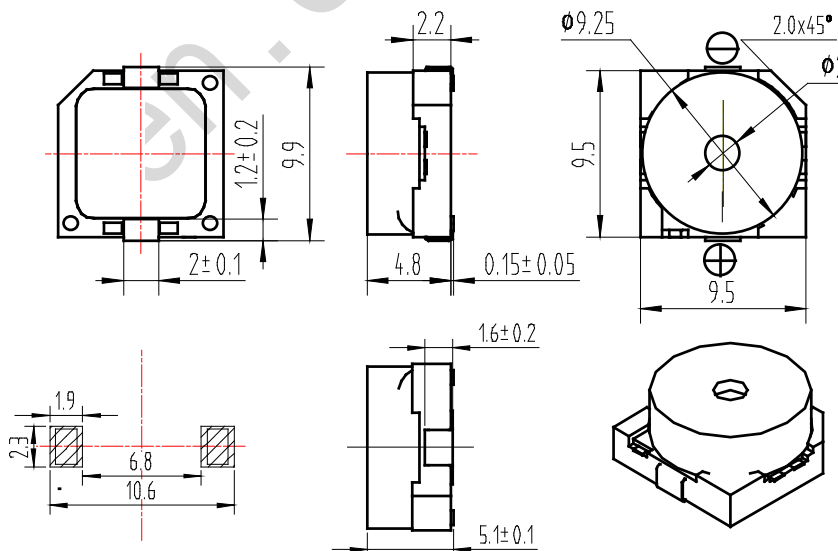


1	Rated Voltage	5 VDC
2	Operating Voltage	4- 7VDC
3	Rated Current	Max.30mA ,at 5VDC
4	Sound Output at 10cm	Min. 85dB,at 5VDC,10cm
5	Resonant Frequency	2400 ± 300 Hz
6	Tone	Continuous
7	Operating Temperature	-20 - + 80°C
8	Storage Temperature	-30 - +85°C
9	RoHS	Yes
10	Weight	Approx 0.7 g

3. Dimensions

Unit: mm

Tolerance: ± 0.3mm Except Specified



*Housing Material: Black LCP

F007-16H3001	Specification for Electro-Magnetic Buzzer With built-in oscillating circuit (SMD Type)				Page 4 of 6
				Des	Chk.
Model No.:	BMC9650S-0524	Part No.	129-965017-01	Chen Hong	
				10/25/2018	10/25/2018

4. Reliability Test

After any following tests the part shall meet specifications without any degradation in appearance and performance except SPL. SPL shall not deviate more than -10 dB from the initial value

4.1 Ordinary Temperature Life Test

The part shall be subjected to 96 hours at $25 \pm 10^\circ\text{C}$. Input rated voltage Resonant frequency, 1/2 duty Square wave.

4.2 High Temperature Test

The part shall be capable of with standing a storage temperature of $+85^\circ\text{C}$ for 96 hours.

4.3 Low Temperature Test

The part shall be capable of with standing a storage temperature of -30°C for 96 hours.

4.4 Humidity Test

Temperature: $+40^\circ\text{C} \pm 3^\circ\text{C}$ Relative Humidity: 90%~95% Duration: 48 hours and expose to room temperature for 6 hours

4.5 Temperature Shock Test

Temperature: 70°C /1hour \rightarrow 25°C /3hours \rightarrow -30°C /1hour \rightarrow 25°C /3hours (1cycle)
Total cycle: 10 cycles

4.6 Drop Test

Standard Packaging From 75cm (Drop on hard wood or board of 5cm thick, three sides, six plain.)

4.7 Vibration Test

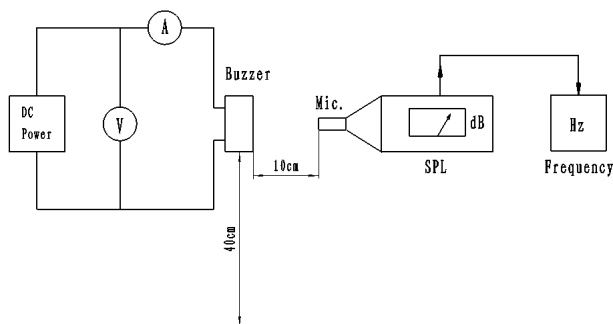
Vibration: 1000cycles /min. Amplitude: 1.5mm, Duration: 1 hour in each 3 axes

Note:

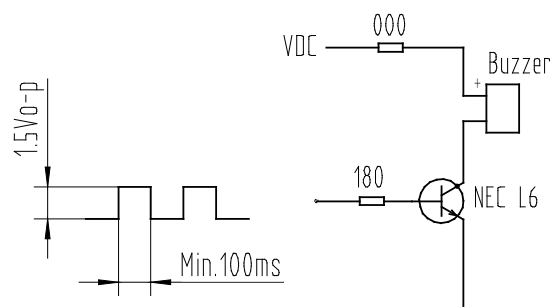
As this product is not protected from foreign material entering, please make sure that any foreign materials (e.g. magnetic powder, washing solvent, flux, corrosive gas) do not enter this product in your production processes. The functional degradation (e.g. SPL down) may occur if foreign material enter it.

5. Electrical And Acoustical Measuring Condition

a) Recommended Setting



b) Recommended Test Circuit

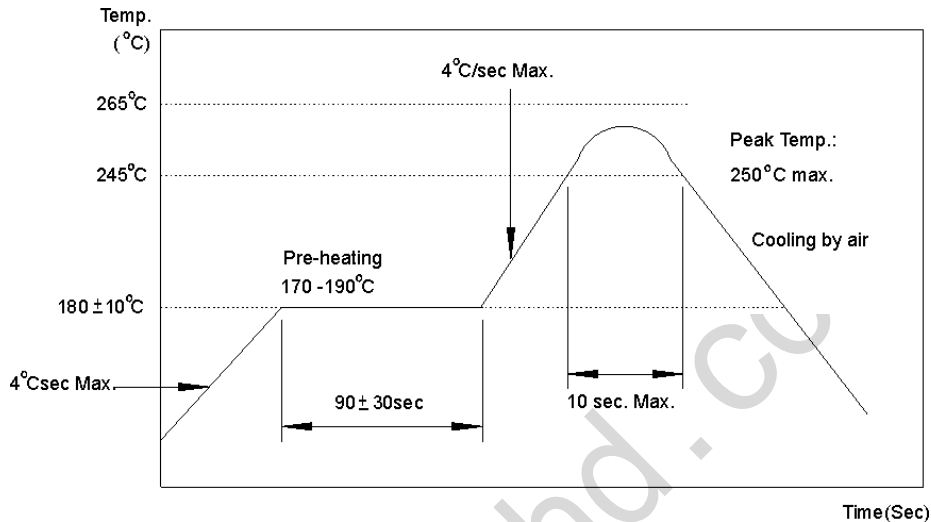


F007-16H3001	Specification for Electro-Magnetic Buzzer With built-in oscillating circuit (SMD Type)				Page 5 of 6
				Des	Chk.
Model No.:	BMC9650S-0524	Part No.	129-965017-01	Chen Hong	
				10/25/2018	10/25/2018

6. Surface mounting condition

6.1 Reflow soldering

Recommendable reflow soldering condition is as follows.

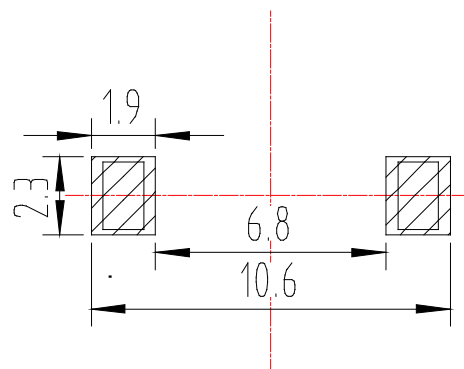


Note: (1) In automated mounting of the SMD sound transducers on PCB, any bending, expanding and pulling forces or shocks against the SMD sound transducers shall be kept minimum

to prevent them from electrical failures and mechanical damages of the devices.

(2) In the reflow soldering, too high soldering temperatures and too large temperature Gradient such as rapid heating or cooling may cause electrical failures and mechanical damages of the devices.

6.2 Soldering pattern



F007-16H3001	Specification for Electro-Magnetic Buzzer With built-in oscillating circuit (SMD Type)		Des	Page 6 of 6 Chk.
Model No.:	BMC9650S-0524	Part No.	129-965017-01	Chen Hong 10/25/2018
				10/25/2018

7.Packing

包装要求	1. BMC9650S 用载带, 600PCS/盘 载带料号: F6-S96501 上封带: F6-SF213 2. 内盒料号: F6-054; 内箱尺寸 76*45.5cm 3. 外箱料号: F6-005; 外箱尺寸 35*32*36cm (每个载盘用一个大 PE 袋装好再放入内盒; PE 袋料号: F6-610)	
唛头要求	内盒: 按客户订单	外箱: 按客户订单

